

Meadow Creek® PR60GT

Overall Dimensions: 44"H x 115"L x 40"W

Grate Dimensions: 24" x 58", Mesh 3/4" x 13" S.S. Expanded Metal

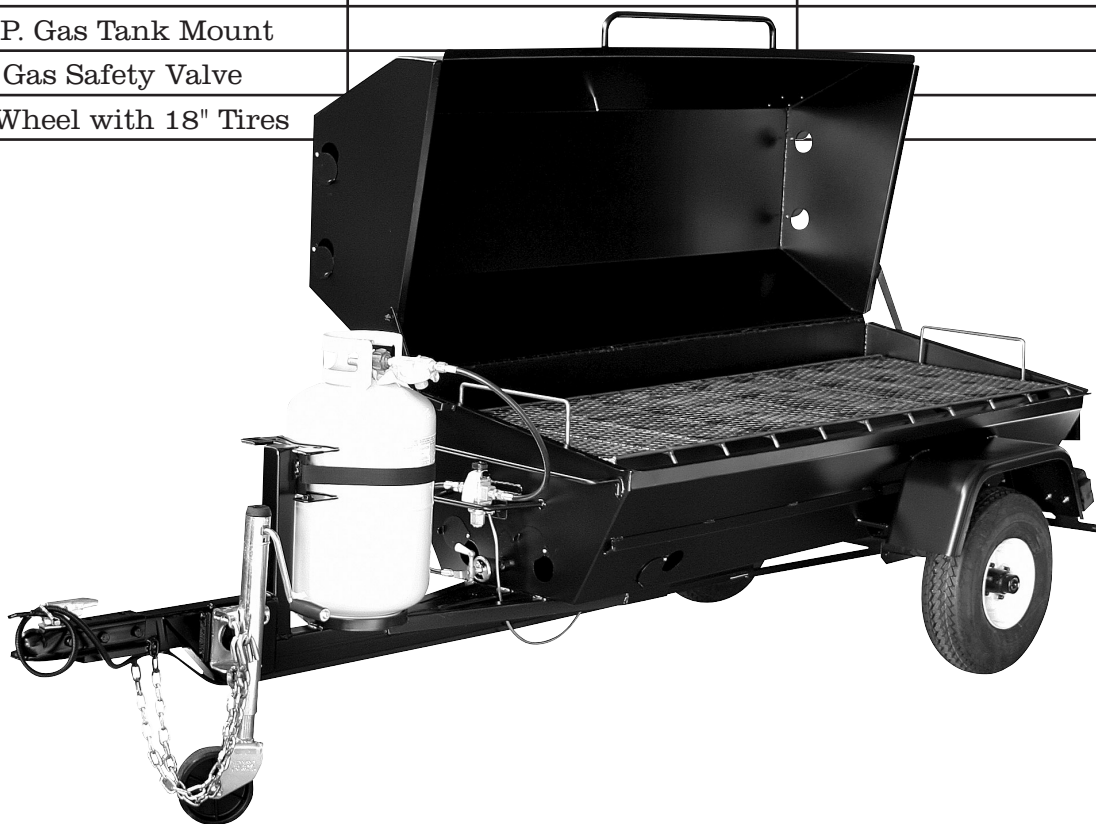
2nd Tier Grate Dimensions: 22" x 58"

Net Weight: 460 lbs.

Shipping Weight: 625 lbs.

Product Details: Metal Thickness 13 Gauge • Approx. 62,000 BTU.

Standard	Standard Options	Custom Options
Stainless Steel Grate	Charcoal Insert, 13 Gauge	Grilling Pan
Thermometer	Vinyl Cover	Smokestack
Grease Drip Pan	Chip Tray, 1' x 2'	Fire Extinguisher Mount
2" Ball Hitch	Trailer Lights, 4 Prong Flat	Mount For Spare Tire
Safety Chains	2nd Tier Grate, 8" High	
Rubber Torque Axle	Doors In Lid	
Highway Wheels	Spare Tire	
E.Z. Lube Bearing	30 lb. or 40 lb. Propane Tank	
Wheel Jack		
L.P. Gas Tank Mount		
Gas Safety Valve		
8" Wheel with 18" Tires		



Recommended with the:

PR60G & PR60GT

This unit is gas fired. A 30 lb. tank will do approximately 15 hours of cooking at a temperature of about 300 degrees.



PR60GT

